

**PATIENT PACKAGE INSERT IN ACCORDANCE WITH THE PHARMACISTS REGULATIONS
(PREPARATIONS) 1986**

This medicine can be sold under doctor's prescription only

COSOPT® Ophthalmic Solution

Each ml contains:

Dorzolamide (as hydrochloride)	20 mg/ml
Timolol (as maleate)	5 mg/ml

For a list of inactive ingredients see section 6.1 "What **COSOPT** contains". See also section 2.6, "Important information about some of the ingredients of **COSOPT**".

Read all of this leaflet carefully before you start taking this medicine.

- This leaflet contains concise information about **COSOPT**. If you have any further questions, ask your doctor or pharmacist.
- This medicine has been prescribed for you. Do not pass it on to others. It may harm them, even if their medical condition seems similar to yours.
- This medicine is not intended for use in children and infants.

1. WHAT COSOPT IS INTENDED FOR?

COSOPT is used for the reduction of elevated intraocular pressure and for the treatment of glaucoma.

Therapeutic group: **COSOPT** contains two active ingredients:

Dorzolamide belongs to a group of medicines called "carbonic anhydrase inhibitors".

Timolol belongs to a group of medicines called "beta blockers".

These medicines lower the pressure in the eye in different ways.

2. BEFORE YOU USE COSOPT

2.1 Do not use COSOPT if you:

- are allergic (hypersensitive) to dorzolamide hydrochloride, timolol maleate or any of the other ingredients of this medicine (for a list of inactive ingredients, see section 6.1).
- have now or had in the past respiratory problems, such as asthma or severe chronic obstructive bronchitis (severe lung disease which may cause wheeziness, difficulty in breathing and/or long-standing cough).
- have a slow heart beat, heart failure or disorders of heart rhythm (irregular heart beats).
- have severe kidney disease or problems, or a prior history of kidney stones.
- have excess acidity of the blood caused by a build up of chloride in the blood (hyperchloraemic acidosis).

If you are not sure whether you should use this medicine, contact your doctor or pharmacist.

2.2 Special warnings concerning use of COSOPT

Before starting treatment with **COSOPT**, tell your doctor about any medical or eye problems you have now or have had in the past:

- Coronary heart disease (symptoms can include chest pain or tightness, breathlessness, or choking), heart failure, low blood pressure.
- Disorders of heart rhythm, for instance slow heartbeat.
- Respiratory system impairment such as chronic obstructive pulmonary disease.

- Poor blood circulation disease (such as Raynaud's disease or Raynaud's syndrome).
- Diabetes as timolol may mask signs and symptoms of low blood sugar levels.
- Overactivity of the thyroid gland as timolol may mask signs and symptoms.
- Consult your doctor if you have or have suffered in the past from any problem in liver function.

Tell your doctor before you have an operation that you are using **COSOPT** as timolol may change effects of some medicines used during anaesthesia.

Also tell your doctor about any allergies or allergic reactions including hives, swelling of the face, lips, tongue, and/or throat which may cause difficulty in breathing or swallowing.

Tell your doctor if you have muscle weakness or have been diagnosed as having myasthenia gravis disease.

If you develop any eye irritation or any new eye problems such as redness of the eye or swelling of the eyelids, contact your doctor immediately.

If you suspect that **COSOPT** is causing an allergic reaction or hypersensitivity (for example, skin rash, severe skin reaction, or redness and itching of the eye), stop using this medicine and contact your doctor immediately.

Tell your doctor if you develop an eye infection, received an eye injury, are about to have eye surgery, or develop a reaction including new or worsening symptoms.

When **COSOPT** is instilled into the eye it may affect the entire body.

If you wear soft contact lenses, you should consult your doctor before using this medicine (see also section 2.6 "**Important information about some of the ingredients of COSOPT**"). Contact lenses should be removed before using **COSOPT**. The lenses can be placed back into your eyes 15 minutes after using the eyedrops.

2.3 Taking other medicines

If you are taking or have recently taken other medicines, including non-prescription medicines and nutritional supplements, you should tell the attending doctor or pharmacist.

COSOPT can affect or be affected by other medicines you are using, including other eye drops for the treatment of glaucoma. Tell your doctor if you are using or intend to use medicines to lower blood pressure, heart medicine or medicines to treat diabetes. Tell your doctor or pharmacist if you are using, have recently used or might use any other medicines. This is particularly important if you are:

- Taking medicine to lower blood pressure or to treat heart disease (such as calcium channel blockers, beta-blockers or digoxin).
- Taking medicines to treat a disturbed or irregular heartbeat (such as calcium channel blockers, beta-blockers or digoxin).
- Using another eyedrop that contains a beta-blocker.
- Taking another carbonic anhydrase inhibitor such as acetazolamide.
- Taking monoamine oxidase inhibitors (MAOIs). (Some of them are used to treat depression).
- Taking a parasympathomimetic medicine which may have been prescribed to help you pass urine. Parasympathomimetics are also a particular type of medicine which is sometimes used to help restore normal movements through the bowel.
- Taking narcotics such as morphine used to treat moderate to severe pain.
- Taking medicines to treat diabetes.
- Taking antidepressants known as fluoxetine and paroxetine.

- Taking a sulfa medicine.
- Taking quinidine (used to treat heart conditions and some types of malaria).

2.4 Pregnancy and breast-feeding

If you are pregnant or breastfeeding, think you are pregnant or are planning a pregnancy, consult your doctor before taking the medicine.

Use in pregnancy

Do not use **COSOPT** if you are pregnant unless your doctor considers it necessary.

Use in breastfeeding

Do not use **COSOPT** if you are breastfeeding without consulting your doctor. Timolol may get into your milk. Ask your doctor for advice before taking any medicine during breastfeeding.

2.5 Driving and using machines

No studies on the effects on the ability to drive or use machines have been performed. There are side effects associated with **COSOPT**, such as blurred vision, which may affect your ability to drive and/or operate machinery. Do not drive or operate machinery until you feel well or your vision is clear.

2.6 Important information about some of the ingredients of COSOPT

COSOPT contains benzalkonium chloride.

This medicine contains approximately 0.002 mg benzalkonium chloride in each drop which is equivalent to 0.075 mg/ml.

Benzalkonium chloride may be absorbed by soft contact lenses and may change the colour of the contact lenses. You should remove contact lenses before using this medicine and put them back 15 minutes afterwards.

Benzalkonium chloride may also cause eye irritation, especially if you have dry eyes or disorders of the cornea (the clear layer at the front of the eye). If you feel abnormal eye sensation, stinging or pain in the eye after using this medicine, talk to your doctor.

2.7 Use in Children

There is limited experience with **COSOPT** in infants and children. This medicine is not intended for use in children and infants.

2.8 Use in Elderly

In studies with **COSOPT**, the effects of this medicine were similar in both elderly and younger patients.

2.9 Use in patients with liver impairment

Tell your doctor if you suffer or have suffered in the past from any problem in liver function.

3. HOW TO USE COSOPT?

Always use **COSOPT** as instructed by the doctor. You should check with your doctor or pharmacist if you are not sure.

The dosage and method of treatment will be determined by the doctor only.

The usually recommended dose is:

One drop in the affected eye(s) in the morning and in the evening.

Do not exceed the recommended dose.

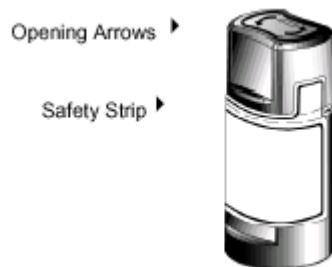
Do not swallow! This medicine is intended for external use only.

If you are using this medicine with another eye drop, the drops should be instilled at least 10 minutes apart. Do not change the dose of the medicine without consulting your doctor.

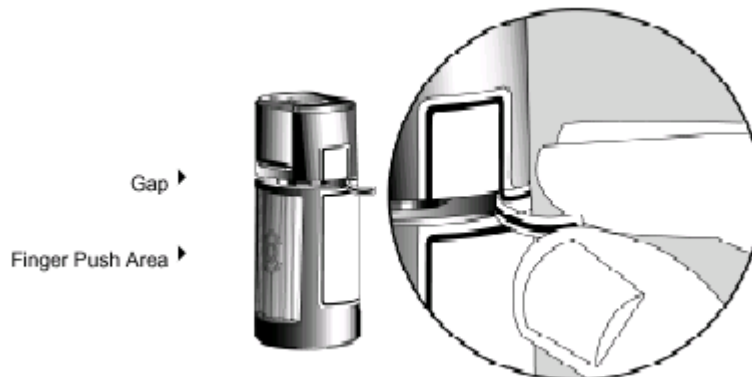
Do not allow the tip of the container to touch the eye or areas around the eye. It may become contaminated with bacteria that can cause eye infections leading to serious damage of the eye, even loss of vision. To avoid possible contamination of the container, wash your hands before using this medicine and keep the tip of the container away from contact with any surface. If you think your medication may be contaminated, or if you develop an eye infection, contact your doctor immediately concerning continued use of this bottle.

INSTRUCTIONS FOR USE:

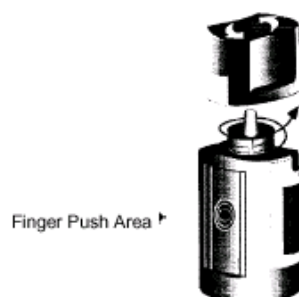
1. Before using the medication for the first time, be sure the Safety Strip on the front of the bottle is unbroken. A gap between the bottle and the cap is normal for an unopened bottle.



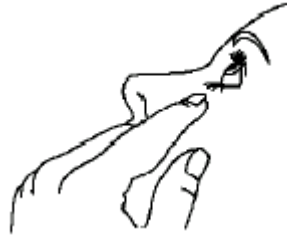
2. First wash your hands, then tear off the Safety Strip to break the seal.



3. To open the bottle, unscrew the cap by turning as indicated by the arrows on the top of the cap. Do not pull the cap directly up and away from the bottle. Pulling the cap directly up will prevent your dispenser from operating properly.



4. Tilt your head back and pull your lower eyelid down slightly to form a pocket between your eyelid and your eye.

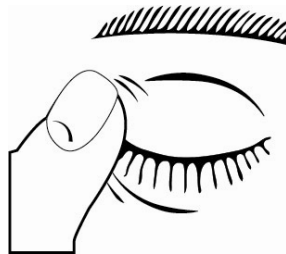


- Invert the bottle, and press lightly with the thumb or index finger over the “Finger Push Area” (as shown) until a single drop is dispensed into the eye as directed by your doctor.



DO NOT TOUCH YOUR EYE OR EYELID WITH THE DROPPER TIP.

- After using **COSOPT** press a finger into the corner of your eye, by the nose, or close your eyelids for 2 minutes. This helps to stop the medicine from getting into the rest of the body and therefore helps to prevent side effects.



- If drop dispensing is difficult after opening for the first time, replace the cap on the bottle and tighten (do not overtighten) and then remove by turning the cap in the opposite directions as indicated by the arrows on the top of the cap.
- Repeat steps 4 & 5 with the other eye if instructed to do so by your doctor.
- Replace the cap by turning until it is firmly touching the bottle. The arrow on the left side of the cap must be aligned with the arrow on the left side of the bottle label for proper closure. Do not overtighten or you may damage the bottle and cap.
- The dispenser tip is designed to provide a single drop; therefore, do **NOT** enlarge the hole of the dispenser tip.

11. After you have used all doses, there will be some **COSOPT** left in the bottle. You should not be concerned since an extra amount of this medicine has been intentionally added to the bottle. You will get the full amount of **COSOPT** that your doctor prescribed. Do not attempt to remove the excess medicine from the bottle.

If you use more COSOPT than you should

If you put too many drops in your eye or swallow any of the contents of the container, among other effects, you may become light-headed, have difficulty breathing, or feel that your heart rate has slowed. Contact your doctor immediately.

If you have taken an overdose, or if a child has accidentally swallowed the medicine, proceed immediately to a hospital emergency room and bring the package of the medicine with you.

If you forget to use COSOPT

It is important to take this medicine as prescribed by your doctor.

If you miss a dose, use it as soon as possible. If it is almost time for the next dose, skip the missed dose and go back to your regular dosing schedule.

Do not take a double dose to make up for the forgotten dose.

Complete the full course of treatment as instructed by the doctor.

Even if there is an improvement in your health, do not discontinue use of this medicine before consulting your doctor.

If you stop using COSOPT

If you want to stop using this medicine talk to your doctor first.

How can you contribute to the success of the treatment?

1. In order to prevent infection make sure the dispenser tip does not come in contact with any surface (including the eye itself). The bottle should be kept well closed.
2. The bottle may not be completely full; this is in order to enable a better control on the dripping pace.
3. How to use the eye drops: See section **INSTRUCTIONS FOR USE**.
4. After using the medicine wash your hands thoroughly in order to clean them from medicine residues.
5. To prevent spreading contamination the same bottle must not be used for more than one person.

Do not take medicines in the dark! Check the label and the dose each time you take your medicine. Wear glasses if you need them.

If you have any further questions on the use of this medicine, ask your doctor or pharmacist.

4. SIDE EFFECTS

Like all medicines, **COSOPT** can cause side effects, in some of the users.

Do not be alarmed by reading the list of side effects, you may not suffer from any of them.

Stop using COSOPT and seek medical attention immediately, if you develop any of the following signs:

Generalized allergic reactions including swelling beneath the skin that can occur in areas such as the face and limbs, and can obstruct the airway which may cause difficulty swallowing or breathing, hives or itchy rash, localized and generalized rash, itchiness, severe sudden life-threatening allergic reaction.

The frequency of possible side effects listed below is defined using the following convention:

Very common (affects more than 1 user in 10)

Common (affects 1 to 10 users in 100)

Uncommon (affects 1 to 10 users in 1,000)

Rare (affects 1 to 10 users in 10,000)

Not known (frequency cannot be estimated from the available data)

The following adverse reactions have been reported with **COSOPT** or one of its components either during clinical trials or during post-marketing experience:

Very Common side effects:

Burning and stinging of the eyes, taste perversion.

Common side effects:

Redness in and around the eye(s), watering or itching of the eye(s), corneal erosion (damage to the front layer of the eyeball), swelling and/or irritation in and around the eye(s), feeling of having something in the eye, decreased corneal sensitivity (not realizing of getting something in the eye and not feeling pain), eye pain, dry eyes, blurred vision, headache, sinusitis (feeling of tension or fullness in the nose), nausea, weakness/tiredness, and fatigue.

Uncommon side effects:

Dizziness, depression, inflammation of the iris, visual disturbances including refractive changes (in some cases, due to withdrawal of miotic therapy, which constricts the pupil of the eye), slow heartbeat, fainting, difficulty breathing (dyspnoea), indigestion, and kidney stones (often marked by a sudden onset of excruciating, cramping pain in the lower back and/or the side of the body, groin, or abdominal area).

Rare side effects:

Systemic lupus erythematosus (an immune disease which may cause an inflammation of internal organs), tingling or numbness of the hands or feet, insomnia, nightmares, memory loss, an increase in signs and symptoms of myasthenia gravis (severe muscle weakness), decreased sex drive, stroke, temporary short sightedness which may resolve when treatment is stopped, detachment of the layer below the retina that contains blood vessels following from filtration surgery which may cause visual disturbances, drooping of the eyelids (making the eye stay half closed), double vision, eyelid crusting, swelling of the cornea (with symptoms of visual disturbances), low pressure in the eye, ringing noises in your ear, low blood pressure, changes in the rhythm or speed of the heartbeat, congestive heart failure (heart disease with shortness of breath and swelling of feet and legs due to fluid build-up), oedema (fluid build-up), cerebral ischaemia (reduced blood supply to the brain), chest pain, palpitations (a quicker and/or irregular heartbeat), heart attack, Raynaud's phenomenon, swelling or coldness of your hands and feet and reduced circulation in your arms and legs, leg cramps and/or leg pain when walking (claudication), shortness of breath, impaired lung function (feeling of suffocation), runny or stuffed nose, nose bleed, constriction of the airways in the lungs causing breathing difficulties, cough, throat irritation, dry mouth, diarrhoea, contact dermatitis, hair loss, skin rash with white silvery coloured appearance (psoriasiform rash), Peyronie's disease (which may cause a curvature of the penis), allergic type reactions such as rash, hives, itching, in rare cases possible swelling of the lips, eyes and mouth, wheezing, or severe skin reactions (Stevens Johnson syndrome, toxic epidermal necrolysis).

Like other medicines applied into your eyes, timolol is absorbed into the blood. This may cause similar side effects as seen with oral beta-blocking agents. Incidence of side effects after topical ophthalmic administration is lower than when medicines are, for example, taken by mouth or injected. Listed additional side effects include reactions seen within the class of beta-blockers when used for treating eye conditions.

Side effects of unknown frequency:

Low blood glucose levels, heart failure, a type of heart rhythm disorder, abdominal pain, vomiting, muscle pain not caused by exercise, sexual dysfunction, hallucinations, foreign body sensation in eye.

If a side effect appears, if any of the side effects gets serious or if you notice a side effect not mentioned in this leaflet, consult your doctor.

Side effects can be reported to the Ministry of Health by using the link "Adverse Drug Reactions Report" at the home page of the Ministry of Health's web site (www.health.gov.il) which refers to the online side effects reporting form, or by using the link:

<https://sideeffects.health.gov.il>

5. HOW TO STORE COSOPT?

- Avoid Poisoning! This medicine, as all other medicines, must be stored in a safe place out of the reach and sight of children and/or infants, in order to avoid poisoning. Do not induce vomiting unless explicitly instructed to do so by a doctor.
- Do not use **COSOPT** after the expiry date (exp. date) which is stated on the pack. The expiry date refers to the last day of the indicated month.
- **Storage conditions:** Store below 30°C. Protect from light. After first opening, use within 4 weeks.
- Medicines should not be disposed of via wastewater or household waste. Ask your pharmacist how to dispose of medicines no longer required. These measures will help to protect the environment.

6. FURTHER INFORMATION

6.1 What COSOPT contains?

- The active substances are: dorzolamide (as hydrochloride) 20 mg/ml and timolol (as maleate) 5 mg/ml.
- In addition to the active ingredients **COSOPT** also contains inactive ingredients: mannitol, hydroxyethylcellulose, sodium citrate dihydrate, sodium hydroxide, benzalkonium chloride, water for injection.
- **COSOPT** ophthalmic solution contains benzalkonium chloride as a preservative (see also section 2.6, "Important information about some of the ingredients of COSOPT".)

6.2 What COSOPT looks like and contents of the pack

COSOPT is a clear, colourless to nearly colourless slightly viscous solution.

Pack size: 5 ml of solution in a plastic bottle. Tamper evidence is provided by a safety strip on the container label.

Registration holder:

Rafa Laboratories Ltd., P.O. Box 405, Jerusalem 9100301.

Manufacturer: Fareva Mirabel, Clermont-Ferrand, France

Drug registration no. listed in the official registry of the Ministry of Health:

141.55.29511.01

Revised in May 2022 in accordance with the Ministry of Health directives.

178003 rev 04-FM